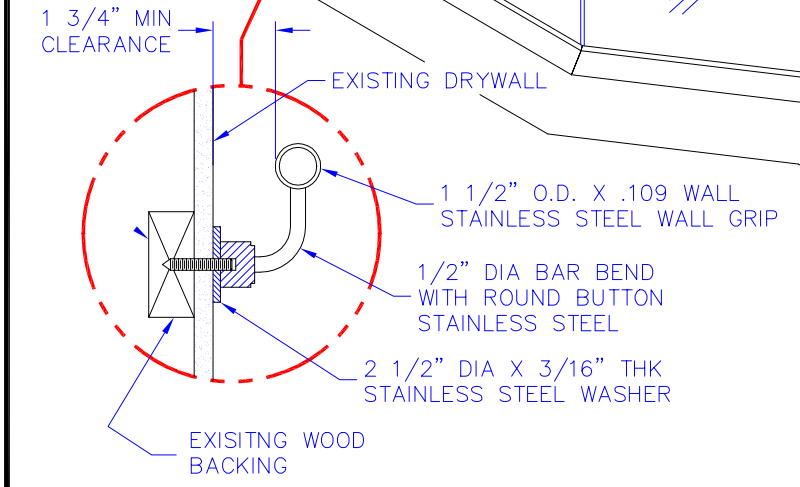
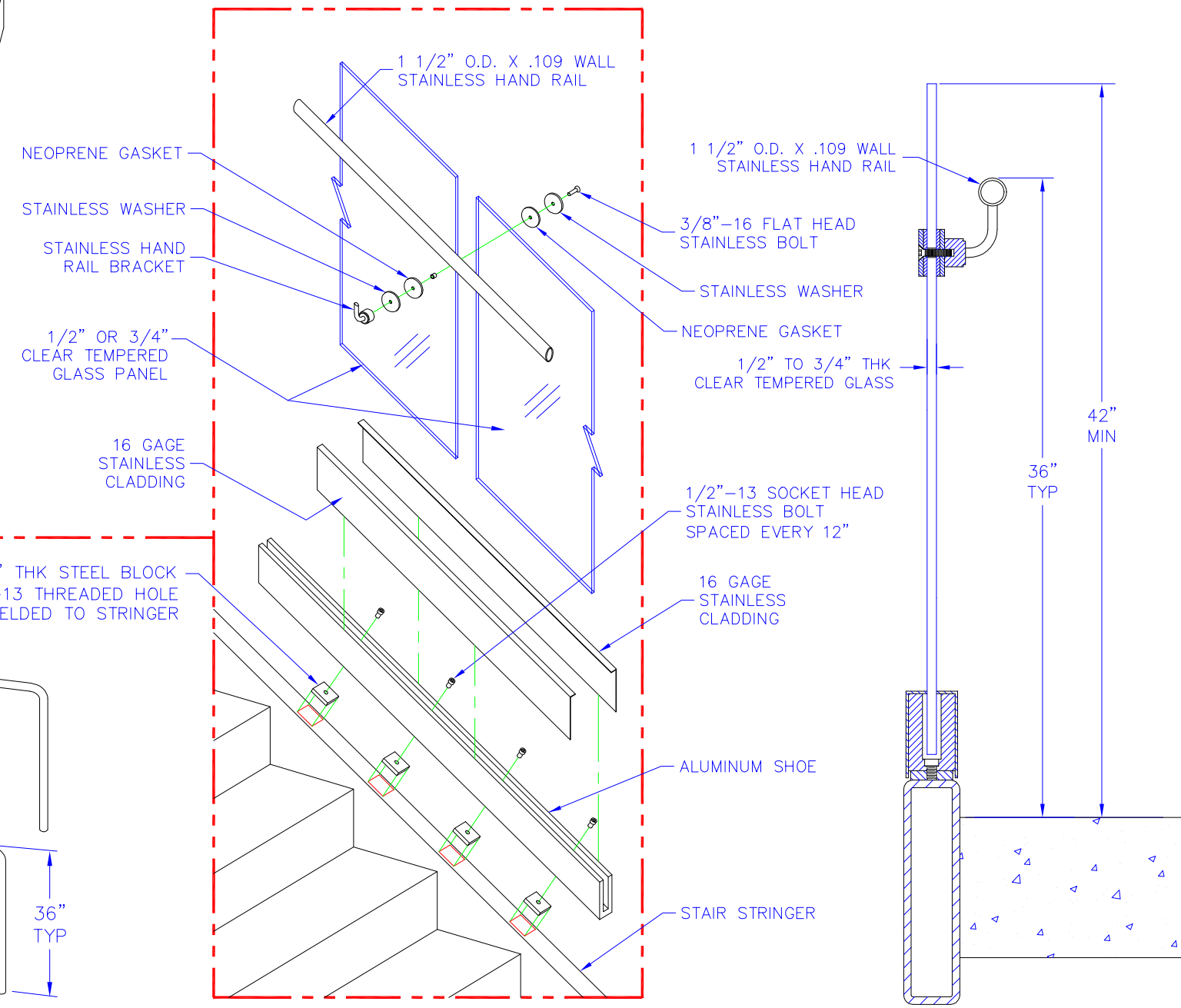
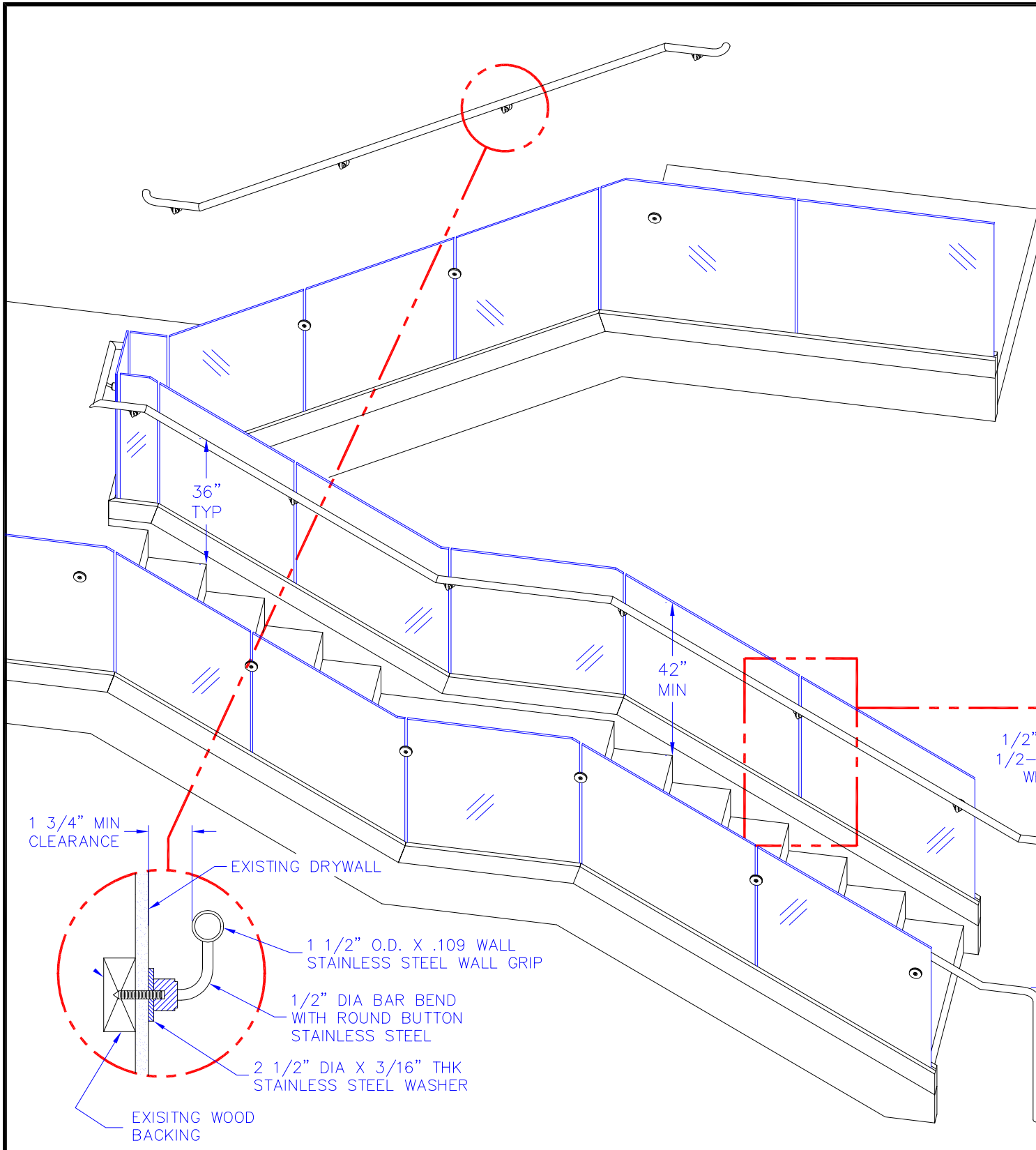


OPTIONS AVAILABLE FOR THE FOLLOWING COMPONENTS

- TOP CAP – STAINLESS, ALUMINUM, WOOD, ETC.
- HAND RAIL – STAINLESS, ALUMINUM, WOOD, ETC.
- GLASS PANELS – VARIOUS THICKNESS, SHADES, ENGRAVINGS, SHAPES, ETC.
- MATERIAL FINISHES – VARIOUS POLISHES, COATINGS, ETC.



**STAINLESS**  
FABRICATORS, INC.

1834 GUNN HIGHWAY  
BUILDING C  
ODESSA, FL 33556  
EMAIL - [www.sales@stainlessfabinc.com](mailto:www.sales@stainlessfabinc.com)  
WEBSITE - [www.stainlessfabinc.com](http://www.stainlessfabinc.com)

PHONE (813)-926-7113  
FAX (813)-926-7114

ASSOCIATED PROJECTS  
RAKE 6886 42"  
LEVEL 5624 42"

RAILING SERIES  
**BOCA GRANDE - TOP MOUNT**

QUOTE NO. **5624**  
FILE NAME **BOCA GRANDE SERIES B**

OPTION LETTER  
**B**

SHEET NO.  
**I OF I**

